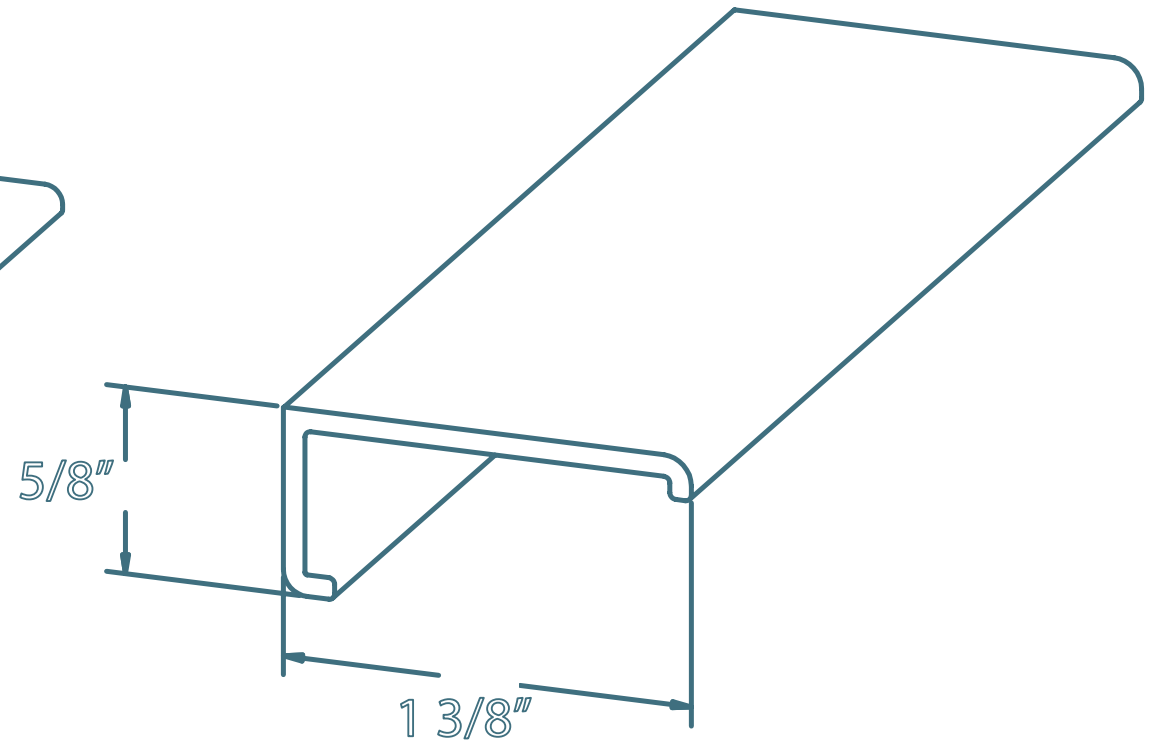
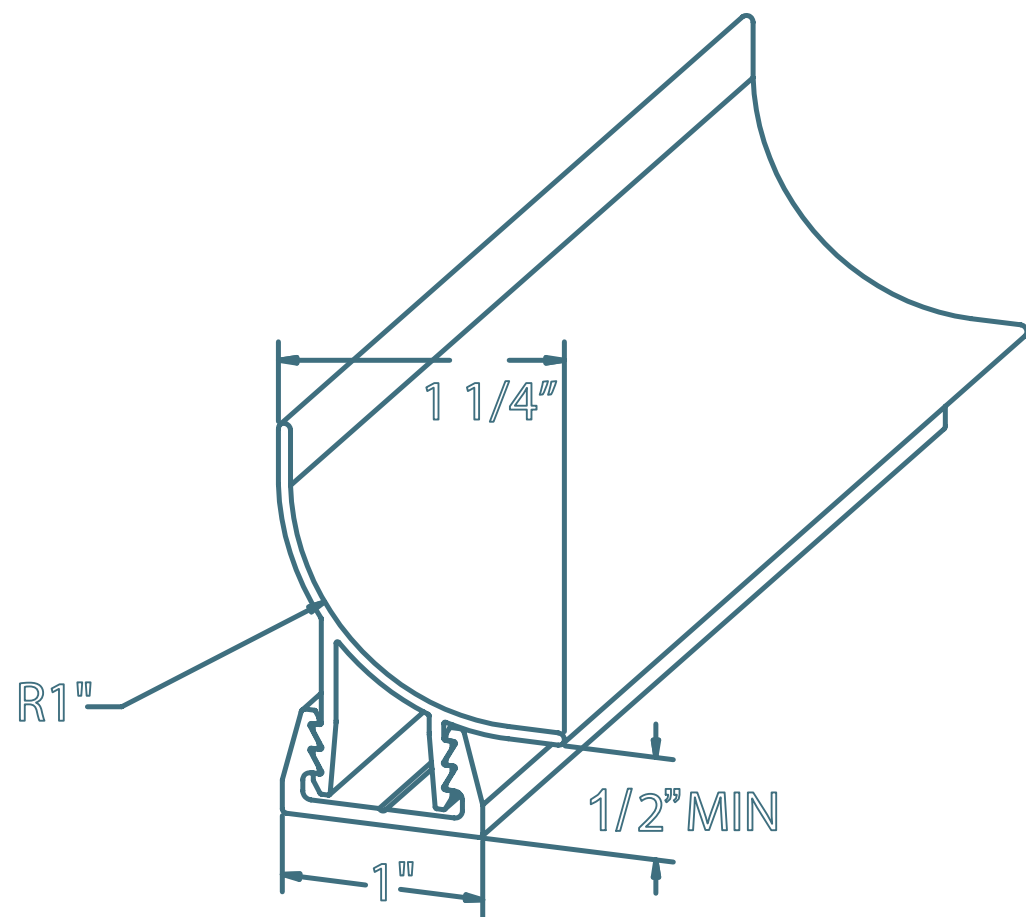


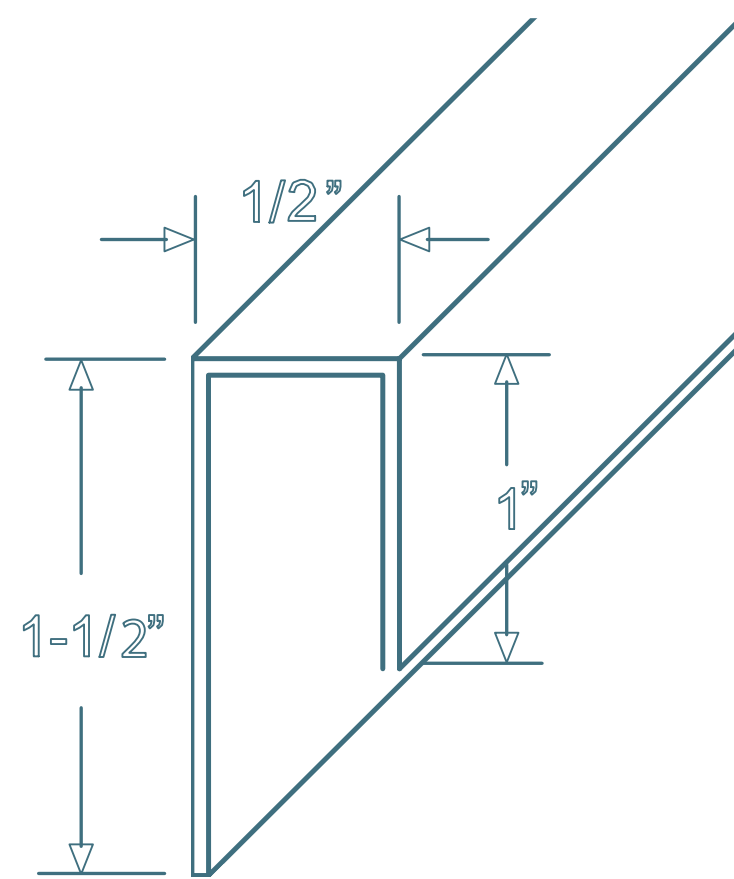
Snap-In H Trim



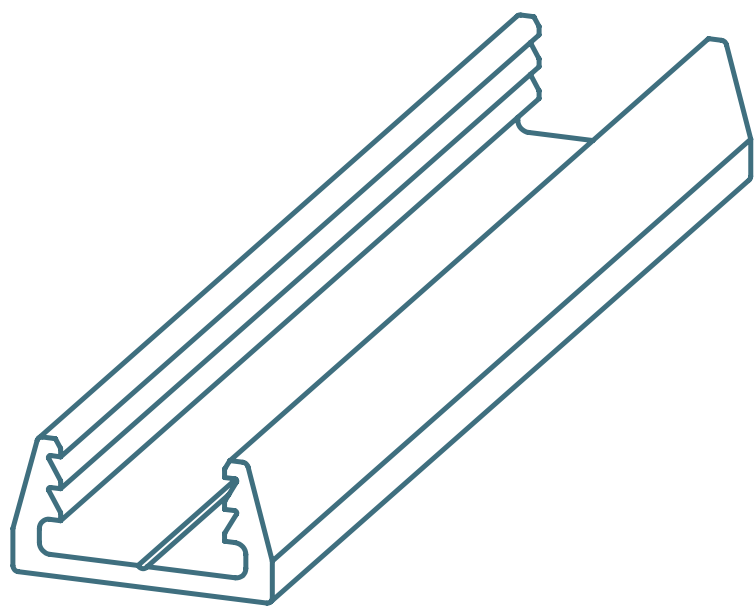
Top Cap



Snap-In Inside Cove



TrussLoc J



* U Channel is required for both the Snap-In H-Trim and Snap-In Inside Cove