

Installation Guide

TOOLS REQUIRED

- heavy duty scissors
- level
- caulking gun
- tape measure
- utility knife
- drill /screw gun
- flexible silicone sealer
- tin snips
- ladders and /or scaffolding

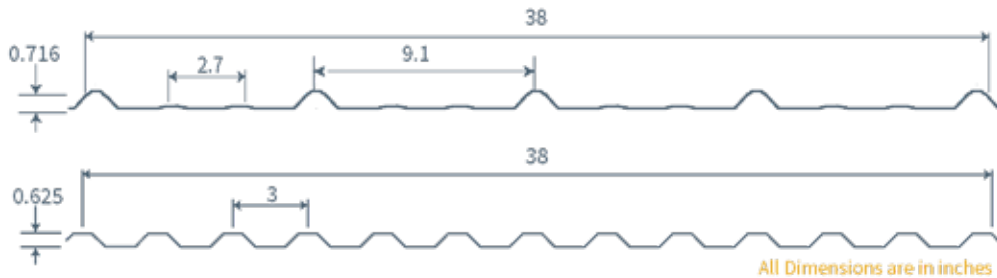
**Use a plywood blade with the blade installed in the reverse direction. Some applicators prefer hand-held fine tooth saw can be used.

BASIC INSTALLATION

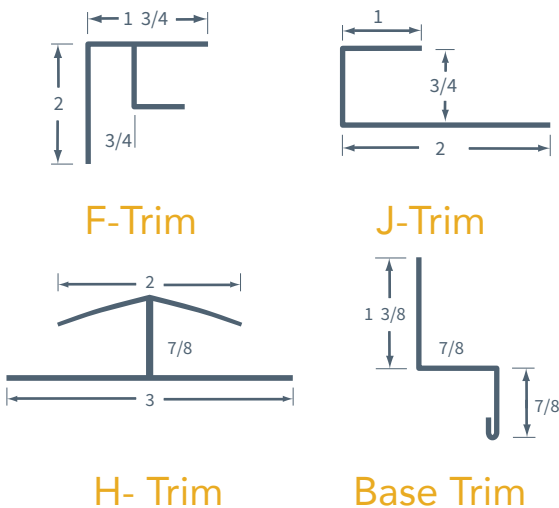
1. When cutting single panels, use a pair of snips or heavy duty scissors. When cutting multiple panels, a circular saw (plywood blade reversed) or a fine tooth hand saw can be used.
2. All side and end laps should be sealed with a flexible silicone sealer. Overlap sides of panel one corrugation and overlap ends a maximum of 4".
3. Install Ribcore PVC panels on a maximum of 24" on center.

IMPORTANT: Always pre-drill all fastening holes. The diameter of the hole must be 1/8" to 2/6" larger than the diameter of the shaft of the fastener. Do not over-tighten fasteners due to temperature fluctuations resulting in expansion and contraction.

SPECIFICATIONS



TRIMS



STORAGE

Do not place Ribcore in direct sunlight or in an enclosure that is subject to very high temperatures. Indoor storage is preferred. The manufacturer is not responsible for problems related to expansion due to temperature fluctuations.

If wide temperature fluctuations exist in the area of the Ribcore installation, allow for expansion and contraction gaps in moldings and perimeter. Before installation, Ribcore panels and trims should be acclimatized to minimize expansion and contraction issues.